

( 10-30-51-58  
5540 RED BUD RD )

## ALAN DONAKER SURVEYING

**Alan Donaker, P.S.**

**19849 TR 383**

**Walhonding, OH 43843**

**Phone: (740) 327-7001**

**Fax: (740) 327-6101**

Being 485.323, more or less, in Lots 4, 5, 7, 8, 12, 13 and 14, Third Quarter, Township 3 North, Range 8 West, United States Military Lands, in the Township of Cass, in the County of Muskingum, in the State of Ohio, conveyed to Jean D. Jackson, DR 819-145 (all), Parcel No. 10-30-51-04-000 (all, 76.644 Ac.), Parcel No. 10-30-51-11-000 (all, 35.148 Ac.), Parcel No. 10-30-51-12-000 (all, 1.229 Ac.), Parcel No. 10-30-51-36-000 (all, 40.843 Ac.), Parcel No. 10-30-51-37-000 (all, 63.717 Ac.), Parcel No. 10-30-51-38-000 (all, 9.674 Ac.), Parcel No. 10-30-51-52-000 (all, 28.511 Ac.), Parcel No. 10-30-51-53-000 (all, 81.131 Ac.), Parcel No. 10-30-51-58-000 (all, 140.316 Ac.) and Parcel No. 10-30-41-21-000 (all, 8.110 Ac.), and more particularly described as follows:

Commencing at a 5/8" rebar found at the Northwest corner of Lot 8, said rebar being the TRUE POINT OF BEGINNING;

thence, with the South line of Lot 3, the following 2 courses;

1. thence, S. 87° 51' 31" E. a distance of 90.00' to a 5/8" rebar found;
2. thence, S. 87° 51' 31" E. a distance of 716.84' to a 5/8" rebar found;

thence, with the property line of Thomas O. and Sandra K. Lauvray, DR 1059-173, the following 3 courses;

1. thence, S. 24° 58' 48" E. a distance of 582.84' to a 5/8" rebar found;
2. thence, S. 87° 21' 31" E. a distance of 1568.90' to a 5/8" rebar found;
3. thence, S. 03° 04' 59" W. a distance of 794.05' to a stone found;

thence, with the property line of Donald B. Merker, Trustee, DR 1099-550, the following 3 courses:

1. thence, S. 02° 51' 23" W. a distance of 1339.05' to a stone found;
2. thence, S. 88° 05' 08" E. a distance of 264.23' to a 5/8" rebar set
3. thence, S. 02° 43' 36" W. a distance of 188.68' to a 5/8" rebar found;

thence, with the property line of Leslie S. Merker, Trustee, DR 1509-790, S. 02° 43' 36" W. a distance of 888.95' to a 5/8" rebar found;

thence, with the property line of Donald B. Merker, Trustee, DR 1099-550, the following 4 courses:

1. thence, S. 02° 43' 36" W. a distance of 258.79' to a 5/8" rebar found;
2. thence, N. 88° 44' 04" W. a distance of 1577.80' to a 5/8" rebar set;

3. thence, S. 02° 20' 23" W. a distance of 1098.21' to a 5/8" rebar set;
4. thence, S. 02° 20' 23" W. a distance of 25.00' to a point in the centerline of Airy View Drive, Township Road 77;

thence, with the centerline of Airy View Drive, Township Road 77, the following 5 courses:

1. thence, N. 59° 14' 37" W. a distance of 1366.90' to a point;
2. thence, N. 64° 24' 37" W. a distance of 123.05' to a point;
3. thence, N. 63° 15' 50" W. a distance of 220.32' to a point;
4. thence, N. 74° 19' 30" W. a distance of 200.00' to a point;
5. thence, S. 81° 11' 21" W. a distance of 64.42' to a point;

thence, with the property lines of Douglas M. and Stacey J. Buzard, DR 1687-802, the following 4 courses:

1. thence, N. 03° 16' 58" E. a distance of 30.00' to a 3/4" pipe found;
2. thence, N. 03° 16' 58" E. a distance of 44.82' to a 3/4" pipe found;
3. thence, N. 03° 16' 58" E. a distance of 244.64' to a 5/8" rebar set;
4. thence, S. 87° 28' 19" E. a distance of 268.67' to a 5/8" rebar set;

thence, with the property lines of Douglas M. and Stacey J. Buzard, DR 1687-802 and Clinton O. and Isabelle Dawson, DR 1157-787, N. 02° 58' 19" E. a distance of 1336.02' to a 5/8" rebar set;

thence, with the property line of Clinton O. and Isabelle Dawson, DR 1157-787, N. 88° 17' 53" W. a distance of 1125.86' to a 5/8" rebar found;

thence, with the property lines of Clinton O. and Isabelle Dawson, DR 1157-787, and Anthony T. and Timothy J. Rosta, DR 1021-546, N. 01° 59' 51" E. a distance of 1374.40' to a 5/8" rebar found;

thence, with the property lines of Anthony T. and Timothy J. Rosta, DR 1021-546 and William H. and Ada Marie Wagner, DR 510-291, N. 88° 02' 41" W. a distance of 949.10' to a 5/8" rebar set;

thence, with the property line of William H. and Ada Marie Wagner, DR 510-291, the following 2 courses:

1. thence, N. 01° 36' 24" E. a distance of 1304.57 to a 5/8" rebar set;
2. thence, N. 88° 38' 31" W. a distance of 1655.20 to a 5/8" rebar set;

thence, with the property line of Charles W. and Nona V. Untied, DR 523-4171, the following 3 courses:

1. thence, N. 03° 22' 10" E. a distance of 264.00 to a 5/8" rebar set;
2. thence, N. 88° 39' 34" W. a distance of 60.00 to a 5/8" rebar set;
3. thence, N. 88° 39' 34" W. a distance of 31.60 to a point in the centerline of Narrows Road, County Road 76;

thence, with the centerline of Narrows Road, County Road 76, the following 17 courses:

1. thence, N. 10° 23' 05" W. a distance of 23.18' to a point;
2. thence, N. 15° 35' 27" W. a distance of 71.62' to a point;
3. thence, N. 11° 58' 14" W. a distance of 55.36' to a point;
4. thence, N. 03° 03' 06" W. a distance of 56.75' to a point;
5. thence, N. 10° 21' 31" E. a distance of 57.18' to a point;
6. thence, N. 21° 13' 39" E. a distance of 65.53' to a point;
7. thence, N. 27° 23' 07" E. a distance of 92.85' to a point;
8. thence, N. 29° 13' 58" E. a distance of 113.22' to a point;
9. thence, N. 32° 31' 31" E. a distance of 58.58' to a point;
10. thence, N. 38° 10' 00" E. a distance of 56.85' to a point;
11. thence, N. 45° 15' 37" E. a distance of 61.41' to a point;
12. thence, N. 50° 23' 55" E. a distance of 43.72' to a point;
13. thence, N. 54° 51' 40" E. a distance of 56.62' to a point;
14. thence, N. 59° 09' 40" E. a distance of 61.90' to a point;
15. thence, N. 63° 46' 19" E. a distance of 321.72' to a point;
16. thence, N. 62° 41' 16" E. a distance of 178.04' to a point;
17. thence, N. 61° 37' 05" E. a distance of 92.76' to a point;

**TRUE COPY  
NOT RECORDABLE**

thence, with the property line of John M. and Billie S. Kirchbaum, Trustees, DR 1622-460, the following 5 courses:

1. thence, S. 88° 00' 51" E. a distance of 71.58' to a 5/8" rebar set;
2. thence, S. 88° 00' 51" E. a distance of 465.00' to a 5/8" rebar set;
3. thence, S. 59° 00' 53" E. a distance of 23.76' to a 5/8" rebar set;
4. thence, S. 78° 00' 51" E. a distance of 36.96' to a 5/8" rebar set;
5. thence, N. 01° 59' 09" E. a distance of 17.94' to a 5/8" rebar set;

thence, with the property lines of John M. and Billie S. Kirchbaum, Trustees, DR 1622-460 and J. Donald Moore, DR 961-88, S. 88° 00' 56" E. a distance of 2597.85' to a 5/8" rebar found;

thence, with the property line of Scott A. and Douglas Moore, DR 1029-281, S. 01° 47' 41" W. a distance of 1136.16' to a 5/8" rebar found;

thence, with the property line of Trustees of Cass Township, DR 76-246, S. 01° 47' 41" W. a distance of 145.50' to the TRUE POINT OF BEGINNING, containing 485.323 acres, more or less, including public road right-of-way and is subject to all easements, rights-of-way, or restrictions, whether recorded or implied.

Bearings are based on DR 1029-281 and are for angular calculations only.

All 5/8" rebars set are 30" long with plastic cap marked "AMD 8050".

Pertinent Documents: Tax Map and all Deeds shown

Surveys by: Denis P. Swierz, Stephen M. Bowman, Richard Max Graves, John R. Marshall

Description and plat by Alan Donaker, Professional Surveyor, #8050, from a survey of the premises on April 14, in the year of our Lord Two Thousand Six.

APPROVED FOR CLOSURE

EXEMPT FROM  
PLANNING COMMISSION

ASB 4/28/2006

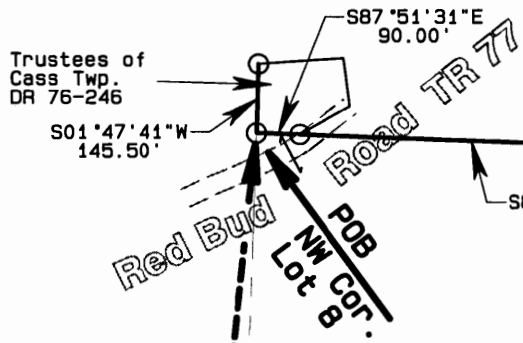
ASB 4/28/2006

This property is subject to all easements, rights-of-way or restrictions, whether recorded or implied.

**ALAN DONAKER SURVEYING**  
 19849 TR 383  
 Walhonding, OH 43843  
 Telephone: (740) 327-7001  
 Fax: (740) 327-6101

Pertinent Documents: Tax Map  
 All Deeds shown  
 Bearings are based on  
 DR 1029-281 and are for  
 angular calculations only

Surveys By: Denis P. Swierz,  
 Stephen M. Bowman, Richard  
 Max Graves, John R. Marshall



- All 5/8" rebars set are 30" long with plastic cap marked "AMD" 8050
- 5/8" rebar found
- ⊗ 3/4" pipe found
- ★ Axle found
- Stone found
- △ Point

**MATCH LINE**

Jean D. Jackson

DR 819-145 (all)

#10-30-51-04-000	(all, 76.644 Ac.)
#10-30-51-11-000	(all, 35.148 Ac.)
#10-30-51-12-000	(all, 1.229 Ac.)
#10-30-51-36-000	(all, 40.843 Ac.)
#10-30-51-37-000	(all, 63.717 Ac.)
#10-30-51-38-000	(all, 9.674 Ac.)
#10-30-51-52-000	(all, 28.511 Ac.)
#10-30-51-53-000	(all, 81.131 Ac.)
#10-30-51-58-000	(all, 140.316 Ac.)
#10-30-41-21-000	(all, 8.110 Ac.)

485.323 Ac. +/- TOTAL

10-30-51-53-000  
81.131 Ac. +/-

N88°17'53"W  
1125.86'

Clinton O. & Isabelle Dawson  
DR 1157-787

Douglas M. & Stacey J. Buzard  
DR 1687-802

S87°28'19"E  
268.67'

N03°16'58"E  
244.64'

N03°16'58"E  
44.82'

N03°16'58"E  
30.00'

N63°15'50"W  
220.32'

N64°24'37"W  
123.05'

N59°14'37"W  
1366.90'

S02°20'23"W  
195.00'

1098.21'  
S02°20'23"W

S02°20'23"W  
25.00'

1577.80'  
N88°44'04"W

Donald B. Merker,  
Trustee  
DR 1099-550

S88°05'08"E  
264.23'

S02°43'36"W  
188.68'

S02°43'36"W  
258.79'

10-30-51-21-000  
8.110 Ac. +/-

10-30-51-36-000  
40.843 Ac. +/-

10-30-51-58-000  
140.316 Ac. +/-

794.05'  
S03°04'59"W  
Thomas O. & Sandra K. Lauvray  
DR 1059-173

1339.05'  
S02°51'23"W  
Donald B. Merker, Trustee  
DR 1099-550

888.95'  
S02°43'36"W  
Leslie S. Merker, Trustee  
DR 1509-790



**OFFICE COPY**  
**NOT RECORDABLE**

I, Alan Donaker, P.S. 8050, hereby certify this plat to represent a boundary survey pursuant to Chapter 4733.37 Ohio Administrative Code and to be correct to the best of my knowledge and belief.

APPROVED FOR CLOSURE

*[Signature]* 4/28/2006

EXEMPT FROM  
 PLANNING COMMISSION

*[Signature]* 4/28/2006

SHEET 2 of 2

Jean D. Jackson  
 DR 819-145  
 485.323 Ac. +/-  
 Lots 4, 5, 7, 8, 12, 13 & 14  
 Third Qtr. T3N, R8W  
 United States Military Lands  
 Cass Township  
 Muskingum County, Ohio  
 Date: April 14, 2006

GRAPHIC SCALE 1" = 400'

