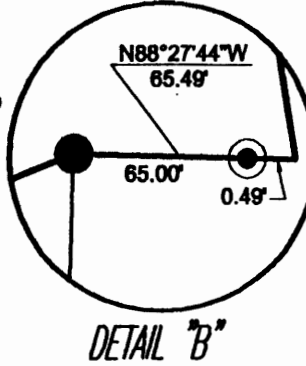
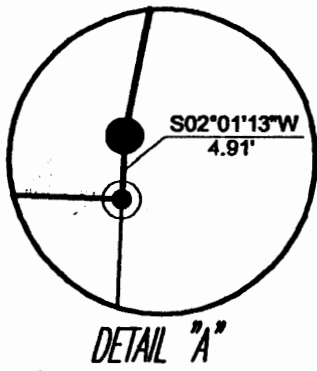
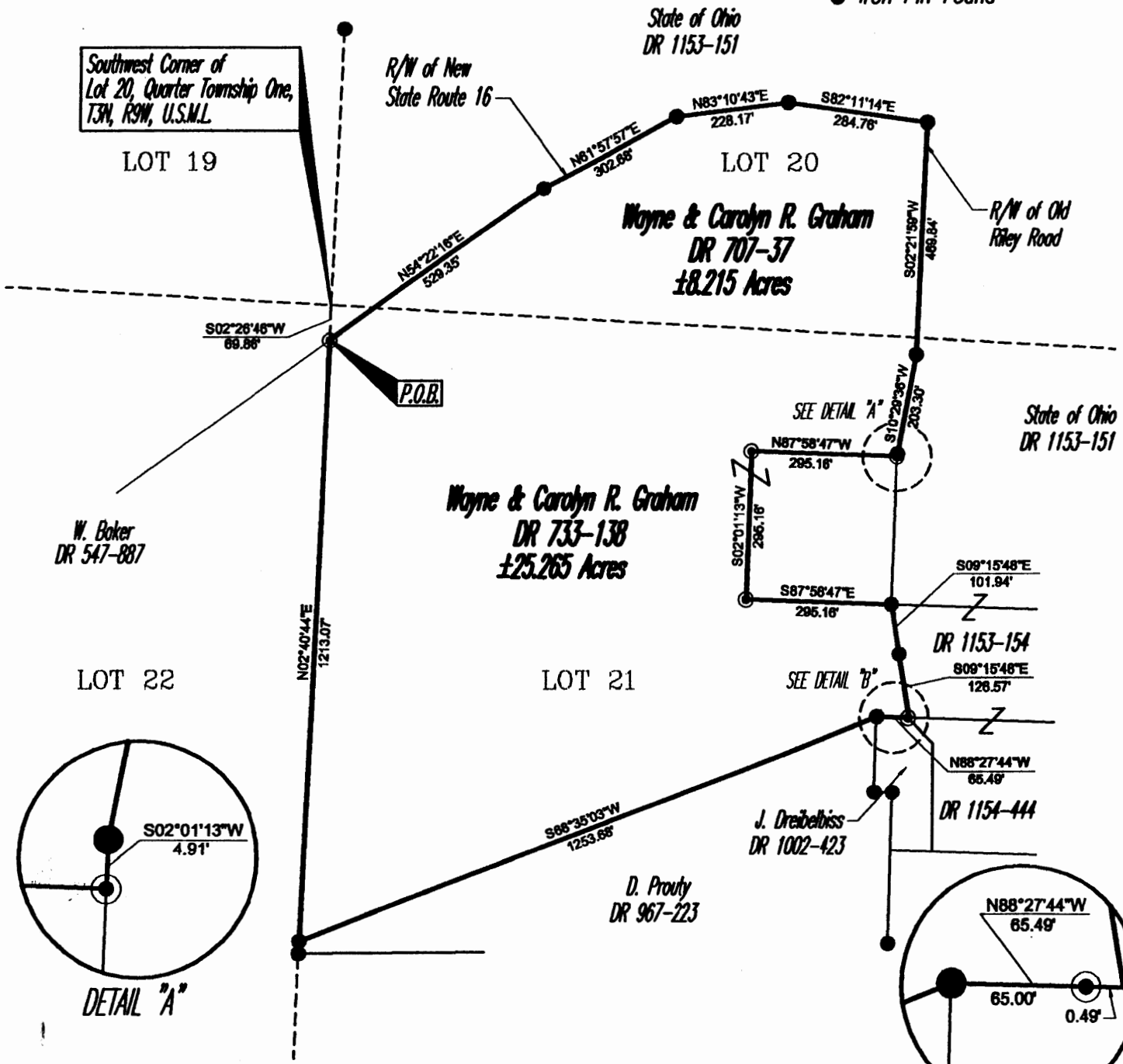


**SITUATED IN**

The State of Ohio, County of Muskingum, Township of Jackson and being a part of the Southwest Quarter of Lot 20 and the Northwest Quarter of Lot 21, of Quarter Township One, T3N, R9W, U.S.M.L.

**LEGEND**

- ⊙ Iron Pin Set, 5/8" rebar
- Iron Pin Found



**BASIS OF BEARING**

Bearings are based on the west line of Lot 21 as being N02°40'44\"/>

**PARCEL NO.**

All of: 29-29-20-71-22-000 (±8.215 ac.)  
Part of: 29-29-50-01-07-000 (±25.265 ac.)

**REFERENCES**

- DR 707-37
- DR 733-138
- DR 967-223
- DR 1153-151
- Mus-16-2.66 R/W PLANS

DESCRIPTION APPROVED FOR AUDITOR'S TRANSFER BY *[Signature]*

**OFFICE COPY NOT RECORDABLE**

Jack D. Newcome  
Reg. Surveyor No. 7321

10-11-00  
Date



**GRAPHIC SCALE**



( IN FEET )  
1 inch = 300 ft.

Project No.: LEPI-29-20



Linn Engineering, Inc. 740-452-7434  
Civil Engineering Consultants  
P.O. Box 2086 Zanesville, Ohio 43702-2086