

TERRY J. FINLEY SURVEYING & MAPPING

155 Mockingbird Hill, Zanesville, OH 43701

Phone or Fax: (740) 464-8721

Ohio Registered Surveyor #S-7222

State: OHIO

City:

County: MUSKINGUM

Subdivision: LAKELAND HILLS #2

Township: LICKING

Plat Book: 10

Page: 61 Lot #: 84 REF.

Section: P1. S1/2, 1/4 TWP  
4, T-2, R-9

Deed Volume: 814

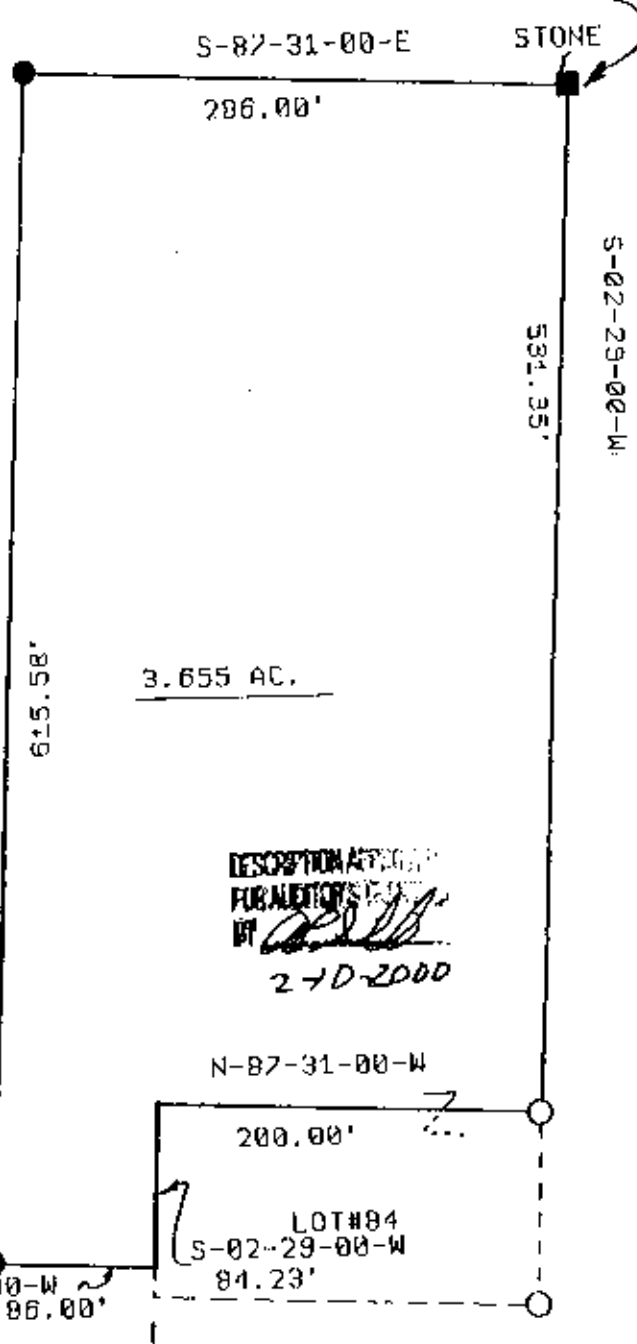
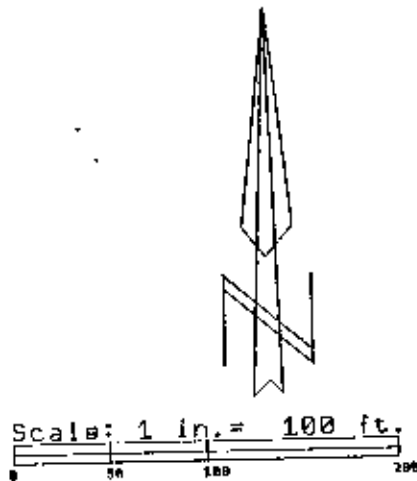
Page: 104

SURVEY PLAT FOR: JAMES DAVIS

Auditor's Parcel #: 35-46-01-59-000

Bearings shown herein are based upon:  
PLAT BOOK 10, PAGE 61

N. E. COR. S1/2, QTR.  
TWP. 4, T-2, R-9



DESCRIPTION APPROVED  
FOR AUDITOR'S RECORD  
BY *[Signature]*  
2-10-2000

OFFICE COPY  
NOT RECORDABLE

OFFICE COPY  
NOT RECORDABLE  
REGISTERED  
PROFESSIONAL SURVEYOR  
#7222

LEGEND:  
● Iron pin set (5/8" rebar w/cap)  
○ Iron pin found  
■ Stone found  
— Axi found  
— Railroad spike found  
This plat drawn on FEB. 10<sup>TH</sup> 2000

OFFICE COPY  
NOT RECORDABLE

This is an actual survey of the premises.  
Terry J. Finley Registered Surveyor #S-7222