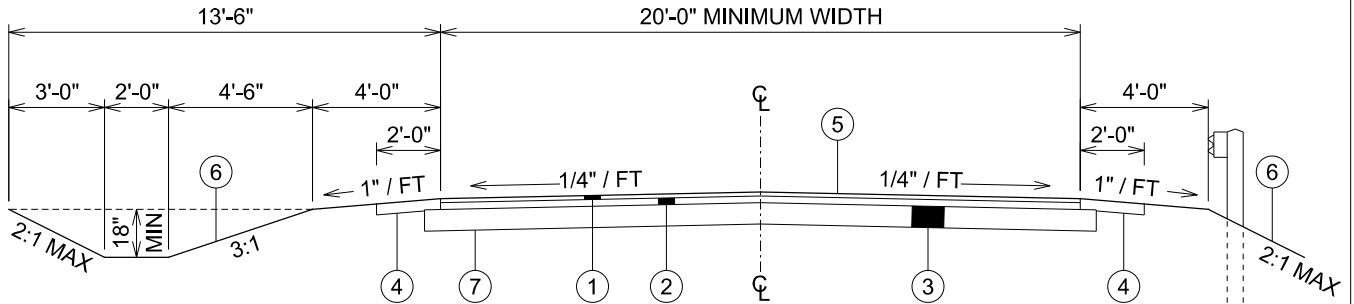


ASPHALT SURFACE

REF#	ITEM	DESCRIPTION
①	448	1 1/2" ASPHALT CONCRETE, SURFACE COURSE
②	448	2 1/2" ASPHALT CONCRETE, INTERMEDIATE COURSE
③	304	8" AGGREGATE BASE
④	411	4" AGGREGATE BERM
⑤	407	TACK COAT FOR INTERMEDIATE COURSE
⑥	659	SEEDING AND MULCHING
⑦	204	SUBGRADE COMPACTION



CUT AREA

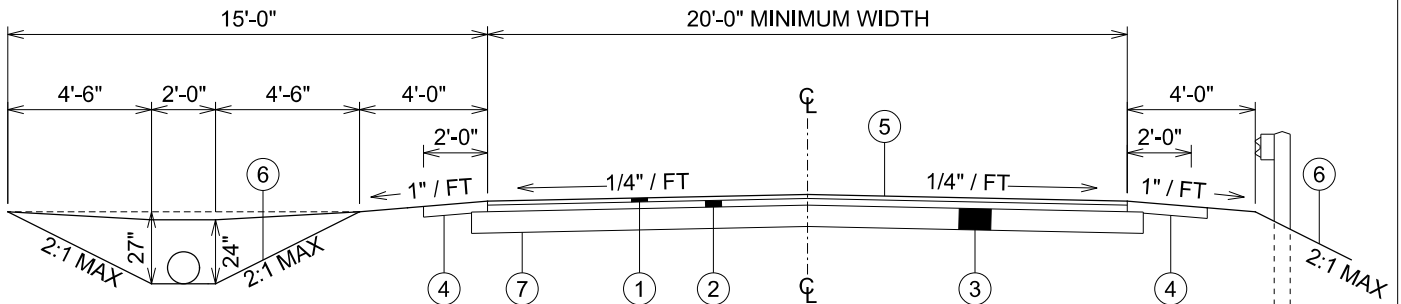
TYPICAL ROAD SECTION

NOTE: 50FT MINIMUM R/W
NOT TO SCALE

FILL AREA

ASPHALT SURFACE

REF#	ITEM	DESCRIPTION
①	448	1 1/2" ASPHALT CONCRETE, SURFACE COURSE
②	448	2 1/2" ASPHALT CONCRETE, INTERMEDIATE COURSE
③	304	8" AGGREGATE BASE
④	411	4" AGGREGATE BERM
⑤	407	TACK COAT FOR INTERMEDIATE COURSE
⑥	659	SEEDING AND MULCHING
⑦	204	SUBGRADE COMPACTION



CUT AREA

TYPICAL ROAD SECTION FOR DRIVEWAY

NOTE: 50FT MINIMUM R/W
NOT TO SCALE

FILL AREA