

Parcel #

02-50-18-14-001

6080 EDGEMOOR RD

TERRY J. FINLEY SURVEYING & MAPPING

155 Mockingbird Hill, Zanesville, OH 43701

Phone or Fax: (614) 454-0721

Ohio Registered Surveyor #S-7222

State: OHIO
County: MUSKINGUM

City:
Subdivision:
Plat Book: Page: Lot #:

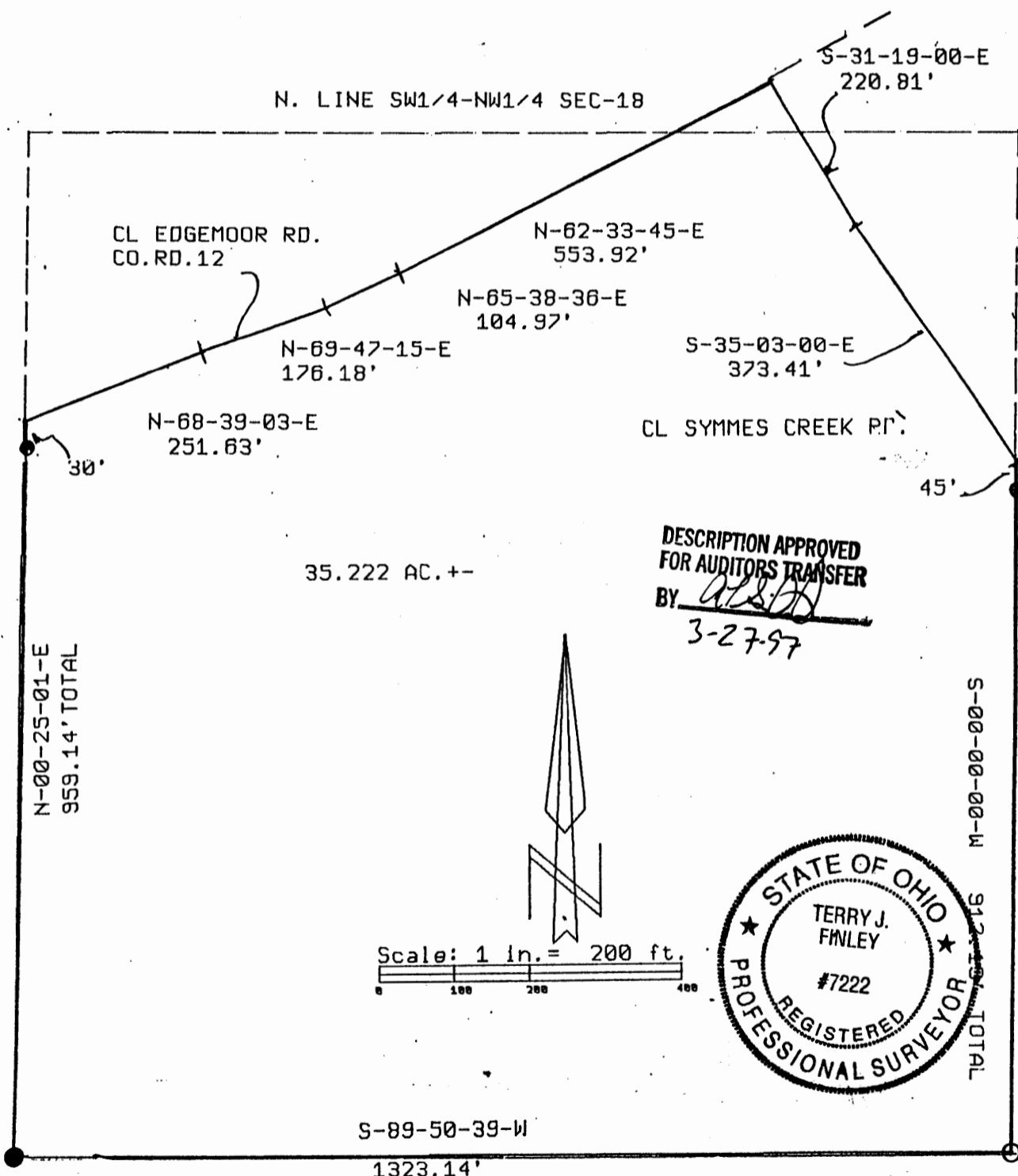
Township: ADAMS Deed Volume: 1002
Section: PT. NW1/4, 18-T-3, R-6

Page: 105

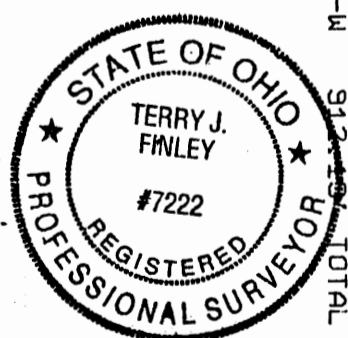
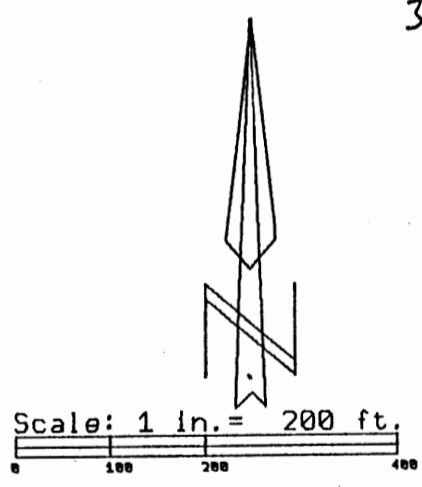
SURVEY PLAT FOR: M. MOZENA

Auditor's Parcel #: 02-50-18-14-000
35.086 AC.
02-50-18-10-000
0.136 AC.

Bearings shown herein are based upon:
ASSUMED AZIMUTH AND USED FOR ANGLE PURPOSES ONLY.



DESCRIPTION APPROVED
FOR AUDITORS TRANSFER
BY [Signature]
3-27-97



LEGEND:

- Iron pin set (5/8" rebar w/cap)
- Iron pin found
- Stone found
- Axle found
- ▽ Railroad spike found

This plat drawn on MAR. 25TH

M. MOZENA
1002/103

OFFICE COPY
NOT RECORDED

Terry J. Finley, Registered Surveyor #S-7222