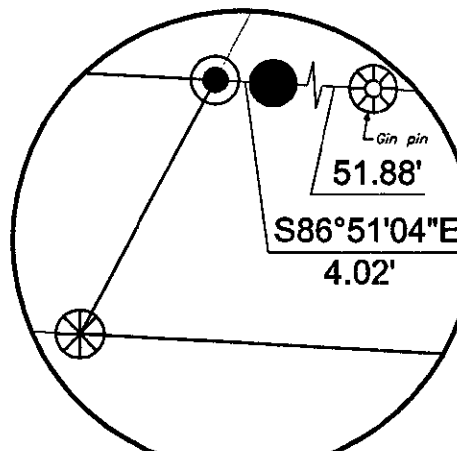
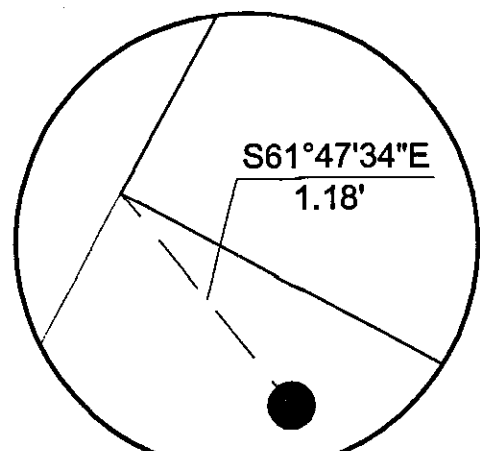


SITUATED IN AND BEING PART OF  
The State of Ohio, County of Muskingum, and being  
part of the Township of Falls, Third Quarter, T1N, R7W,  
U.S.M.L., and being part of the City of Zanesville, Ward 5.



Note: Original deeds call for property  
to extend to river, but railroad right  
of way maps show right of way to  
waters edge of river.

TRACT ONE

PARCEL NO.

- All of: 80-85-12-01-01-000 = (±0.106 ac.)
- All of: 80-85-12-01-02-000 = (±0.474 ac.)
- All of: 80-85-12-01-03-000 = (±0.119 ac.)
- All of: 80-85-12-01-04-000 = (±0.119 ac.)
- All of: 80-85-12-01-05-000 = (±0.119 ac.)
- All of: 80-85-12-01-06-000 = (±0.119 ac.)
- All of: 80-85-12-01-07-000 = (±0.119 ac.)
- All of: 80-85-12-01-08-000 = (±0.119 ac.)
- All of: 80-85-12-01-09-000 = (±0.119 ac.)
- All of: 80-85-12-01-10-000 = (±0.119 ac.)
- All of: 80-85-12-01-11-000 = (±0.190 ac.)
- All of: 80-85-12-01-12-000 = (±0.350 ac.)
- All of: 80-85-12-01-13-000 = (±0.106 ac.)
- All of: 80-85-12-01-14-000 = (±0.106 ac.)
- All of: 80-85-12-01-15-000 = (±0.106 ac.)
- All of: 80-85-12-01-16-000 = (±0.106 ac.)
- All of: 80-85-13-01-01-000 = (±0.950 ac.)
- All of: 80-85-13-01-02-000 = (±2.470 ac.)
- All of: 80-85-15-01-01-700 = (±25.456 ac.)
- All of: 80-85-15-01-02-000 = (±0.485 ac.)
- All of: 80-85-15-01-03-000 = (±0.485 ac.)
- All of: 80-85-15-01-04-000 = (±0.485 ac.)
- All of: 80-85-15-01-05-000 = (±0.485 ac.)
- All of: 80-85-15-01-06-000 = (±0.242 ac.)
- All of: 80-85-15-01-07-000 = (±0.242 ac.)
- All of: 80-85-15-01-08-000 = (±0.258 ac.)
- All of: 80-85-15-01-20-000 = (±0.119 ac.)
- All of: 80-85-15-01-21-000 = (±0.119 ac.)
- All of: 80-85-15-01-22-000 = (±0.106 ac.)
- All of: 80-85-15-01-23-000 = (±2.220 ac.)
- All of: 80-85-23-01-03-000 = (±1.720 ac.)
- All of: 80-85-23-01-04-000 = (±0.875 ac.)
- TOTAL = (±41.893 ac.)

TRACT TWO

PARCEL NO.

- All of: 80-85-15-02-01-000 = (±0.110 ac.)
- All of: 80-85-15-02-02-000 = (±0.110 ac.)
- All of: 80-85-15-02-03-000 = (±0.110 ac.)
- All of: 80-85-15-02-04-000 = (±0.110 ac.)
- All of: 80-85-15-02-05-000 = (±0.110 ac.)
- All of: 80-85-15-02-06-000 = (±0.110 ac.)
- All of: 80-85-15-02-07-000 = (±0.110 ac.)
- All of: 80-85-15-02-08-000 = (±0.110 ac.)
- All of: 80-85-15-02-09-000 = (±0.110 ac.)
- All of: 80-85-15-02-10-000 = (±0.110 ac.)
- All of: 80-85-15-02-11-000 = (±0.110 ac.)
- All of: 80-85-15-02-12-000 = (±0.110 ac.)
- All of: 80-85-15-02-13-000 = (±0.275 ac.)
- All of: 80-85-15-02-14-000 = (±0.110 ac.)
- All of: 80-85-15-02-15-000 = (±0.083 ac.)
- All of: 80-85-15-03-01-000 = (±0.110 ac.)
- All of: 80-85-15-03-02-000 = (±0.110 ac.)
- All of: 80-85-15-03-03-000 = (±0.110 ac.)
- All of: 80-85-15-03-04-000 = (±0.110 ac.)
- All of: 80-85-15-03-05-000 = (±0.110 ac.)
- All of: 80-85-15-03-06-000 = (±0.110 ac.)
- All of: 80-85-15-03-07-000 = (±0.110 ac.)
- All of: 80-85-15-03-08-000 = (±0.110 ac.)
- All of: 80-85-15-03-09-000 = (±0.110 ac.)
- All of: 80-85-15-03-10-000 = (±0.110 ac.)
- All of: 80-85-15-03-11-000 = (±0.110 ac.)
- All of: 80-85-15-03-12-000 = (±0.110 ac.)
- All of: 80-85-15-03-13-000 = (±0.083 ac.)
- TOTAL = (±8.270 ac.)

TRACT THREE

PARCEL NO.

- All of: 80-85-15-04-01-000 = (±0.110 ac.)
- All of: 80-85-15-04-02-000 = (±0.110 ac.)
- TOTAL = (±0.220 ac.)

TRACT FOUR

PARCEL NO.

- All of: 18-17-65-03-01-000 = (±8.030 ac.)
- All of: 18-17-65-03-02-000 = (±5.210 ac.)
- All of: 18-17-65-03-03-000 = (±5.030 ac.)
- All of: 18-17-65-03-04-000 = (±4.750 ac.)
- All of: 18-17-65-03-05-000 = (±0.133 ac.)
- All of: 18-17-65-03-06-000 = (±0.133 ac.)
- All of: 18-17-65-03-07-000 = (±0.133 ac.)
- All of: 18-17-65-03-08-000 = (±0.133 ac.)
- All of: 18-17-65-03-09-000 = (±0.133 ac.)
- All of: 18-17-65-03-10-000 = (±0.133 ac.)
- All of: 18-17-65-03-11-000 = (±0.133 ac.)
- All of: 18-17-65-03-12-000 = (±0.133 ac.)
- All of: 18-17-65-03-13-000 = (±0.133 ac.)
- All of: 18-17-65-03-14-000 = (±0.160 ac.)
- All of: 18-17-65-03-15-000 = (±0.160 ac.)
- All of: 18-17-65-03-16-000 = (±0.133 ac.)
- All of: 18-17-65-03-17-000 = (±0.133 ac.)
- All of: 18-17-65-03-18-000 = (±0.133 ac.)
- All of: 18-17-65-03-19-000 = (±0.133 ac.)
- All of: 18-17-65-03-20-000 = (±0.133 ac.)
- All of: 18-17-65-03-21-000 = (±0.133 ac.)
- All of: 18-17-65-03-22-000 = (±0.133 ac.)
- All of: 18-17-65-03-23-000 = (±0.133 ac.)
- All of: 18-17-65-03-24-000 = (±0.133 ac.)
- All of: 18-17-65-03-25-000 = (±0.133 ac.)
- All of: 18-17-65-03-26-000 = (±0.140 ac.)
- All of: 18-17-65-03-27-000 = (±0.140 ac.)
- All of: 18-17-65-03-28-000 = (±0.140 ac.)
- All of: 18-17-65-03-29-000 = (±0.140 ac.)
- All of: 18-17-65-03-30-000 = (±0.140 ac.)
- All of: 18-17-65-03-31-000 = (±0.140 ac.)
- All of: 18-17-65-03-32-000 = (±0.140 ac.)
- All of: 18-17-65-03-33-000 = (±0.140 ac.)
- All of: 18-17-65-03-34-000 = (±0.140 ac.)
- All of: 18-17-65-03-35-000 = (±0.140 ac.)
- All of: 18-17-65-03-36-000 = (±0.140 ac.)
- All of: 18-17-65-03-37-000 = (±0.140 ac.)
- All of: 18-17-65-03-38-000 = (±0.140 ac.)
- All of: 18-17-65-03-39-000 = (±0.140 ac.)
- All of: 18-17-65-03-40-000 = (±0.140 ac.)
- All of: 18-17-65-03-41-000 = (±0.140 ac.)
- All of: 18-17-65-03-42-000 = (±0.140 ac.)
- All of: 18-17-65-03-43-000 = (±0.140 ac.)
- All of: 18-17-65-03-44-000 = (±0.140 ac.)
- All of: 18-17-65-03-45-000 = (±0.140 ac.)
- All of: 18-17-65-03-46-000 = (±0.140 ac.)
- All of: 18-17-65-03-47-000 = (±0.140 ac.)
- All of: 18-17-65-03-48-000 = (±0.140 ac.)
- All of: 18-17-65-03-49-000 = (±0.140 ac.)
- All of: 18-17-65-03-50-000 = (±0.140 ac.)
- All of: 18-17-65-03-51-000 = (±0.140 ac.)
- All of: 18-17-65-03-52-000 = (±0.140 ac.)
- All of: 18-17-65-03-53-000 = (±0.140 ac.)
- All of: 18-17-65-03-54-000 = (±0.169 ac.)
- All of: 18-17-65-03-55-000 = (±0.169 ac.)
- All of: 18-17-65-03-56-000 = (±0.140 ac.)
- All of: 18-17-65-03-57-000 = (±0.140 ac.)
- All of: 18-17-65-03-58-000 = (±0.140 ac.)
- All of: 18-17-65-03-59-000 = (±0.140 ac.)
- All of: 18-17-65-03-60-000 = (±0.140 ac.)
- All of: 18-17-65-03-61-000 = (±0.140 ac.)
- All of: 18-17-65-03-62-000 = (±0.140 ac.)
- All of: 18-17-65-03-63-000 = (±0.140 ac.)
- All of: 18-17-65-03-64-000 = (±0.140 ac.)
- All of: 18-17-65-03-65-000 = (±0.140 ac.)
- All of: 18-17-65-03-66-000 = (±0.140 ac.)
- All of: 18-17-65-03-67-000 = (±0.140 ac.)
- All of: 18-17-65-03-68-000 = (±0.140 ac.)
- All of: 18-17-65-03-69-000 = (±4.550 ac.)
- All of: 18-17-65-03-70-000 = (±4.180 ac.)
- All of: 18-17-65-03-71-000 = (±2.990 ac.)
- All of: 18-17-65-03-72-000 = (±0.770 ac.)
- All of: 18-17-65-03-73-000 = (±0.320 ac.)
- TOTAL = (±44.037 ac.)

Armco Steel Corporation  
Tract Two  
±8.270 Acres  
DR 194-596  
DR 216-536  
DR 832-334

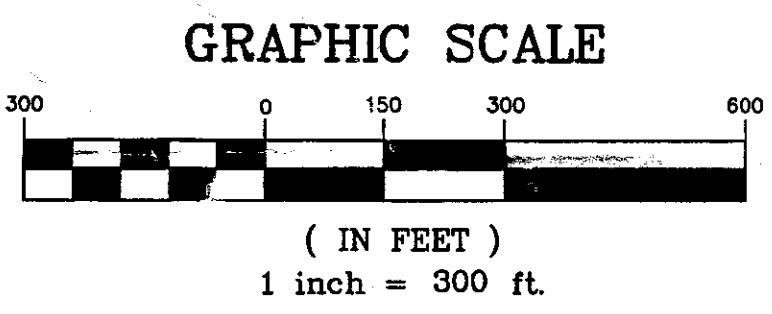
Armco Steel Corporation  
Tract Three  
±0.220 Acres  
DR 216-536

Armco Steel Corporation  
Tract One  
±41.893 Acres  
DR 174-309  
DR 404-474  
DR 577-865  
DR 577-871  
DR 608-303  
DR 832-334

Armco Steel Corporation  
Tract Four  
±44.037 Acres  
DR 173-322  
DR 234-110  
DR 234-196

- LEGEND
- Iron Pin Set, 5/8" rebar
  - Iron Pin Found
  - Axle Found
  - Copper Plug in Sidewalk
  - Monument Found
  - Bolt Found
  - Chiseled Cross in Concrete
  - PK Nail
  - Property Hook
  - Tax Map e.g. 17-65
  - Block No. e.g. 03
  - Parcel No. e.g. 44

BASIS OF BEARING  
Bearings are based on Ohio State Plane Coordinate  
System, NAD 83, South Zone Grid North, as per  
GPS Observations.



REFERENCES

- DR 173-322
- DR 174-309
- DR 194-596
- DR 216-536
- DR 234-110
- DR 234-196
- DR 404-474
- DR 577-865
- DR 577-871
- DR 608-303
- DR 832-334
- Tax Map 17-65
- Tax Map 17-66
- Tax Map 85-12
- Tax Map 85-13
- Tax Map 85-14
- Tax Map 85-15
- Tax Map 85-23
- Plat Book 2, Page 4
- Plat Book 2, Page 32
- Plat Book 2, Page 124
- Plat Book 2, Page 125
- Plat Book 4, Page 130
- R/W Map, Wheeling & Lake Erie R.R. Co. V2/129
- R/W Map, Wheeling & Lake Erie R.R. Co. V2/130
- R/W Map, Wheeling & Lake Erie R.R. Co. V2/130

DESCRIPTION APPROVED  
FOR AUDITOR'S TRANSFER  
BY [Signature]

OFFICE COPY  
NOT RECORDABLE  
Date \_\_\_\_\_  
Reg. Surveyor No. 7321

Sheet No.	Project No.	By	Date	Scale	Revisions	By	Date
1	AK-983	Designed	JDN	Horiz. 1" = 300'			
		Drawn	VHC	Vert. 1" = N/A			
		Checked	THL	Field Book No.			
		Approved	THL				

A K STEEL  
LINDEN AVENUE SITE  
ZANESVILLE, OHIO  
BOUNDARY SURVEY

Linn Engineering, Inc.  
Civil Engineering Consultants  
P.O. Box 2086 Zanesville, Ohio 43702-2086 740-452-7434