



# Linn Engineering, Inc.

*Civil Engineering Consultants*

740-452-7434 • FAX 740-452-5198

534 Market Street • P.O. Box 2086 • Zanesville, Ohio 43702-2086

73-93-32-10

Situated in the State of Ohio, County of Muskingum, Township of Wayne, bounded and described as follows:

Being a part of the West half of Section 32, Township 13 North, Range 6 West, Congress Lands East of the Scioto River and being more particularly described as follows:

Beginning for reference at an iron pipe found at the Northeast corner of Section 32, thence along north line of said Section 32 North 88 degrees 36 minutes 33 seconds West 4205.80 feet to a stone found;

thence continuing along said line North 85 degrees 45 minutes 21 seconds West 443.64 feet to a point at the northwest corner of lands now or formerly owned by T. and J. Hayes (DR 751-305) and the principal place of beginning;

443.40  
40  
T

thence along said Hayes' west line the following seventeen courses:

- 1) South 04 degrees 22 minutes 57 seconds West 33.00 feet to a point;
- 2) South 85 degrees 37 minutes 03 seconds East 346.50 feet to a point;
- 3) South 04 degrees 22 minutes 57 seconds West 66.00 feet to a point;
- 4) South 85 degrees 37 minutes 03 seconds East 148.50 feet to a point;
- 5) South 06 degrees 04 minutes 55 seconds West 966.26 feet to a point;
- 6) South 04 degrees 16 minutes 54 seconds East 760.32 feet to an iron pin set;
- 7) South 15 degrees 13 minutes 06 seconds West 374.88 feet to an iron pin set;
- 8) South 03 degrees 43 minutes 06 seconds West 814.09 feet to an iron pin set;
- 9) North 86 degrees 16 minutes 54 seconds West 50.00 feet to an iron pin set;
- 10) South 03 degrees 43 minutes 06 seconds West 98.37 feet to a point;
- 11) South 07 degrees 28 minutes 06 seconds West 98.37 feet to an iron pin set;
- 12) South 82 degrees 31 minutes 54 seconds East 50.00 feet to an iron pin set;
- 13) South 07 degrees 28 minutes 06 seconds West 475.32 feet to an iron pin set;
- 14) South 00 degrees 43 minutes 06 seconds West 256.08 feet to an iron pin set;
- 15) North 89 degrees 16 minutes 54 seconds West 99.00 feet to an iron pin set;
- 16) South 03 degrees 16 minutes 54 seconds East 294.36 feet to an iron pin set;
- 17) South 82 degrees 31 minutes 58 seconds West 59.83 feet to an iron pin set;

thence along the east side of the Muskingum River North 03 degrees 22 minutes 01 seconds West 4277.71 feet to an iron pin found on the south line of lands now or formerly owned by W. Harlan (DR 1113-151);

thence South 85 degrees 45 minutes 21 seconds East 188.51 feet to the principal place of beginning, containing 38.339 acres, more or less, subject to all legal road right of ways and applicable easements, written or implied.

Bearings are based on Grid North of Ohio State Plane (South Zone) Lambert Conic Projection derived from GPS Observations of the subject property and are for angular calculations only.

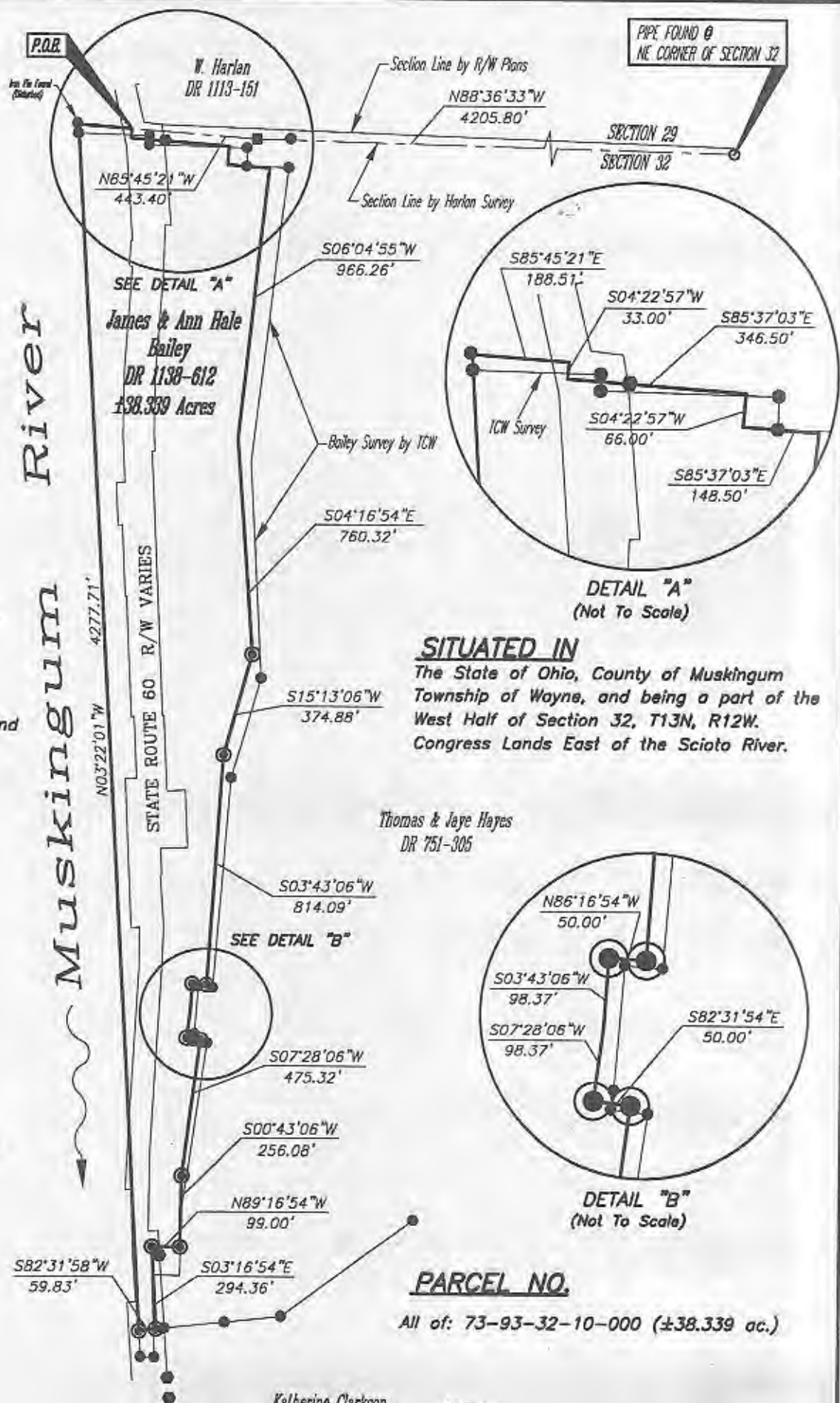
This description is based on actual survey of the premises completed on June 15, 1999 by Daniel J. Duche, Reg. No. 7938.

*Daniel J. Duche*  
Daniel J. Duche  
Reg. No. 7938

OFFICE OF THE STATE OF OHIO  
NOTICE TO CREDITORS  
DANIEL J. DUCHE 06/15/99  
7938 Date  
REGISTERED PROFESSIONAL SURVEYOR

Parcel No.:  
All of: 73-73-93-32-10-000 (38.339 ac.)

DESCRIPTION APPROVED  
FOR AUDITOR'S TRANSFER  
BY: *[Signature]*  
6-17-99



PIPE FOUND @  
NE CORNER OF SECTION 32

**LEGEND**

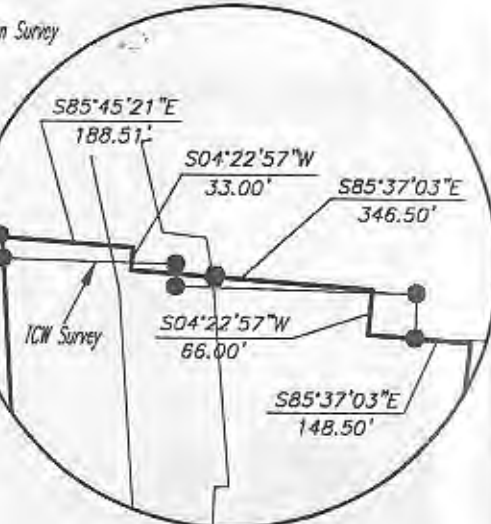
- Iron Pin Set, 5/8" rebar
- Iron Pin Found
- Iron Pipe Found
- Centerline Monument Found
- Stone Found

**REFERENCES**

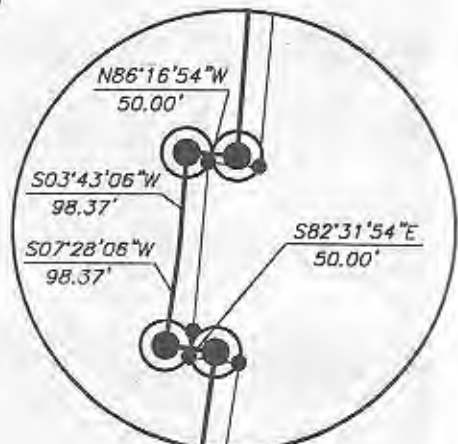
- DR 1138-612
- DR 1113-151
- DR 751-305
- DR 1040-622
- MUS-SH-345 (Sheets 1-2)
- (SR-60 R/W PLANS)

**SITUATED IN**

The State of Ohio, County of Muskingum Township of Wayne, and being a part of the West Half of Section 32, T13N, R12W. Congress Lands East of the Scioto River.



DETAIL "A"  
(Not To Scale)



DETAIL "B"  
(Not To Scale)

**PARCEL NO.**

All of: 73-93-32-10-000 (±38.339 ac.)

Thomas & Jaye Hayes  
DR 751-305

Katherine Clarkson  
DR 1040-622

DESCRIPTION APPROVED  
FOR AUDITOR'S TRANSFER  
BY: *[Signature]*

6-17-99

**BASIS OF BEARING**

Bearings are based on Grid North of Ohio State Plane(South Zone) Lambert Conic Projection derived from GPS Observations of the subject property and are for angular calculations only.

OFFICE COPY NOT RECORDED

Daniel J. Duché  
Reg. Surveyor No. 7938

STATE OF OHIO  
DANIEL J. DUCHE  
7938  
PROFESSIONAL SURVEYOR

**GRAPHIC SCALE**



( IN FEET )  
1 inch = 500 ft.

Project No.: MCPD-147



Linn Engineering, Inc. 740-452-7434  
Civil Engineering Consultants  
P.O. Box 2088 Zanesville, Ohio 43702-2088